

SafeRing™

SafeRing is a versatile anchorage capable of providing individual fall protection either as fall restraint or fall arrest, complying with the recommendations of **BS EN 795: 'Protection Against Falls From A Height – Anchorage Devices – Requirements and Testing' Class A1**.

When designing a system it is important to ensure that an operative can always connect to the single point anchor from a position where they are not at risk of a fall. Guidelines relating to safe reach limits for window cleaners are contained in **BS 8213 1:2004**.

Due consideration must be given to the selection of the correct anchor fixing appropriate to the available base material in accordance with **BS 7883:2005**.

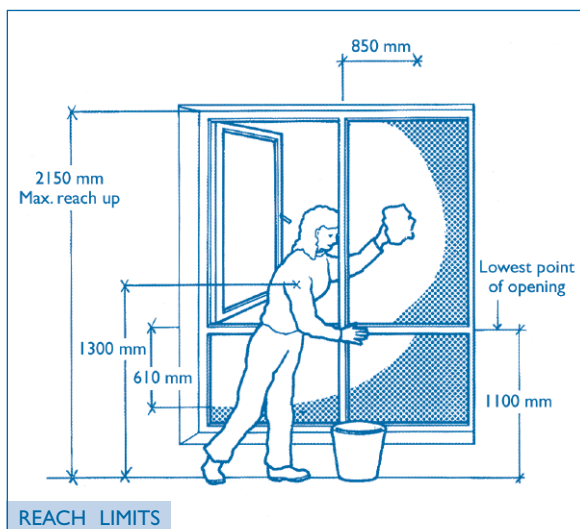
Where single point anchors are fixed into the structure care must also be taken with regard to the distance between the anchor and any edge. The typical failure cone of the material must not fall outside any edge.

MAINTENANCE

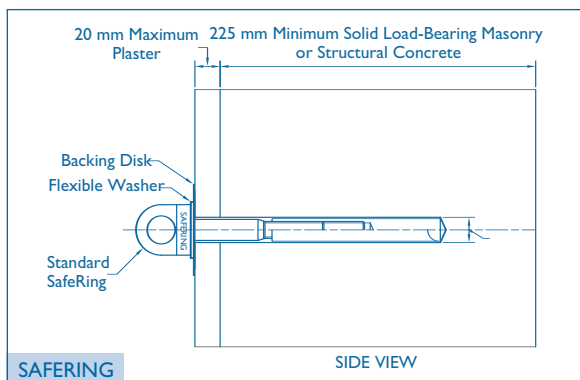
To satisfy the requirements of the Provision and Use of Work Equipment Regulations (PUWER 1998) it is essential that single point anchors are inspected and certified a minimum of once every 12 months by HCL or an HCL approved agent. This essential maintenance not only ensures that a user remains fully protected as intended but it ultimately prolongs the life of the system.



SAFERING



REACH LIMITS



SAFERING

For more information contact HCL Safety on 0800 212867

Aegis SafeRing is a trademark of HCL Safety.